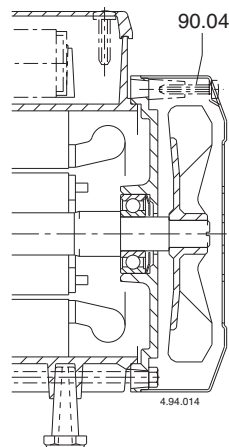
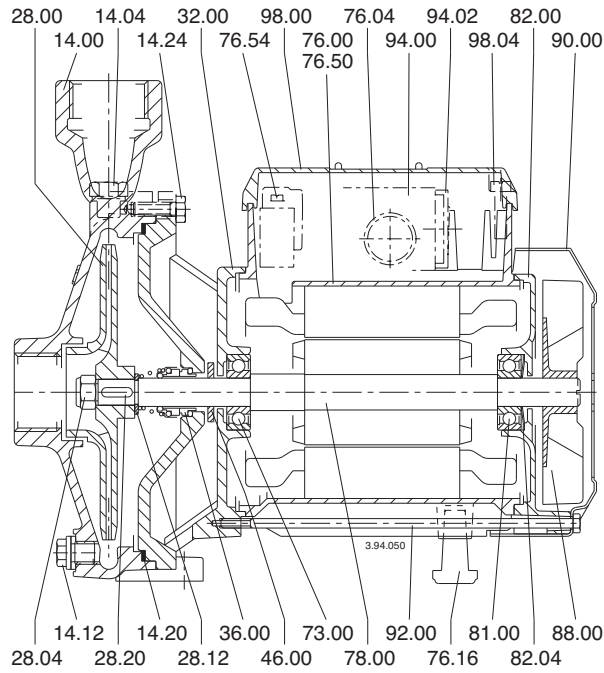


NM 1/AE                    NM4 25/12AE  
 NM 2/SE-BE  
 NM 25/12AE-BE

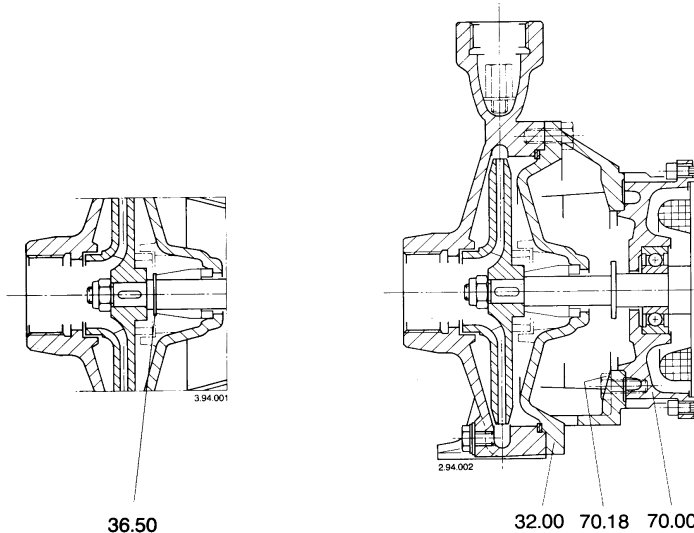
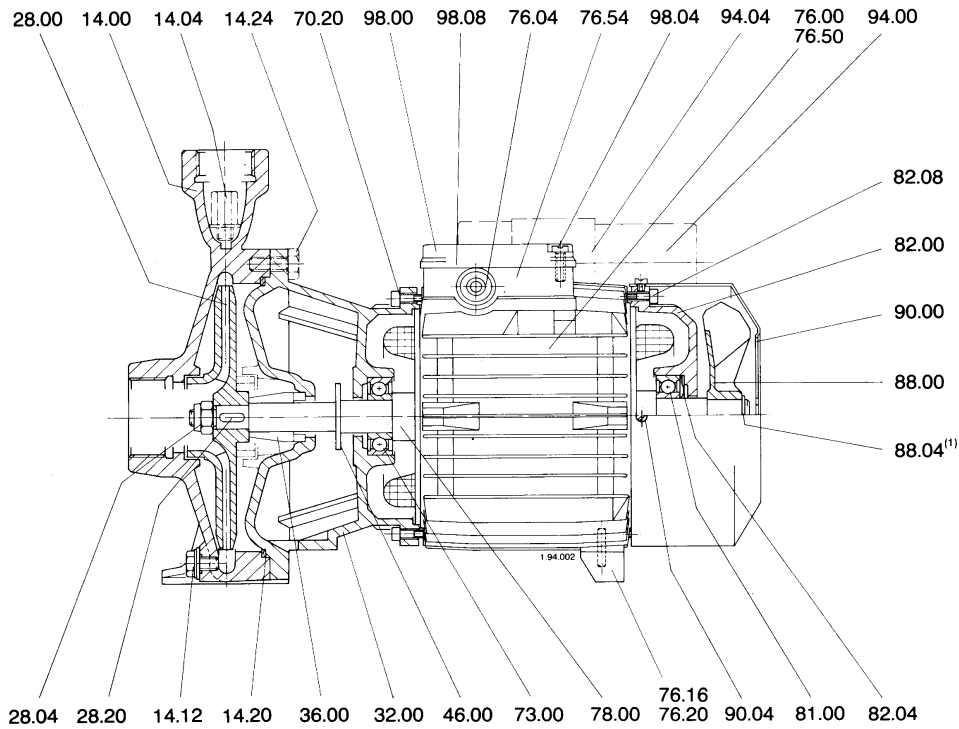


NM 2..  
 NM 25/12..  
 NM4 25/12..

Sezione - Cross section - Schnittzeichnung - Section - Sección - Sektion

**NM-NM4**

NM 3..	NM 20/160..	NM4 25/160..	B-NM 17..	I-B-NM4 25/160..
NM 10..	NM 25/160..	NM4 25/200..	B-NM 20/160..	I-B-NM4 25/200..
NM 11..	NM 25/20..		B-NM 25/125..	
NM 12..			B-NM 25/160..	
NM 17..			I-B-NM 25/200..	



NM 10..  
 NM 11..  
 NM 12/DE  
 NM 17/FE-GE-HE  
 NM 25/20BE

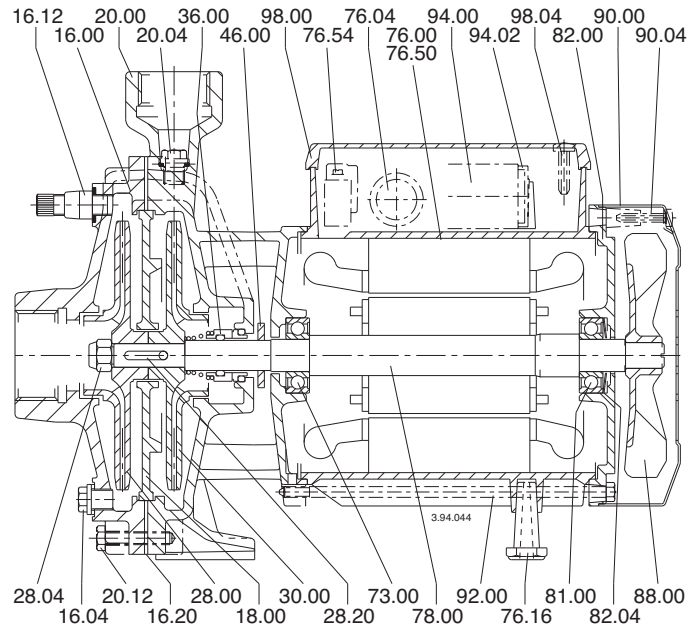
B-NM 20/160..  
 B-NM 25/160..  
 I-B-NM 25/200..  
 I-B-NM4 25/200..

(1) Solo nei tipi  
 Only for types  
 Nur für Baugrößen  
 Seulement pour les types  
 Solo en los tipos  
 Endast type

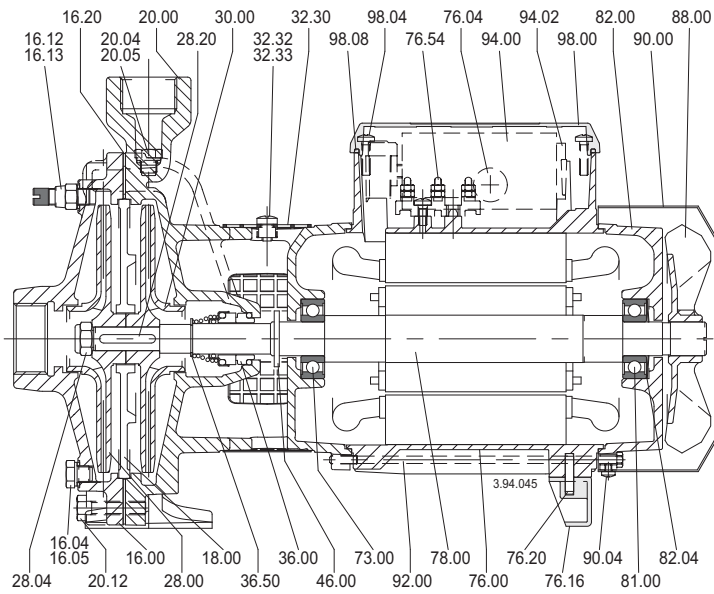
NM 12/AE-CE  
 NM 17/DE  
 NM 25/20SE-AE  
 I-B-NM 25/200SE-AE

NMD 20/110AE-ZE-BE      B-NMD 20/110AE-ZE-BE  
 NMD 20/140AE-BE        B-NMD 20/140AE-BE

NMD 20/110AE-ZE-BE  
 B-NMD 20/110AE-ZE-BE



NMD 20/140AE-BE  
 B-NMD 20/140AE-BE

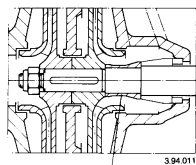
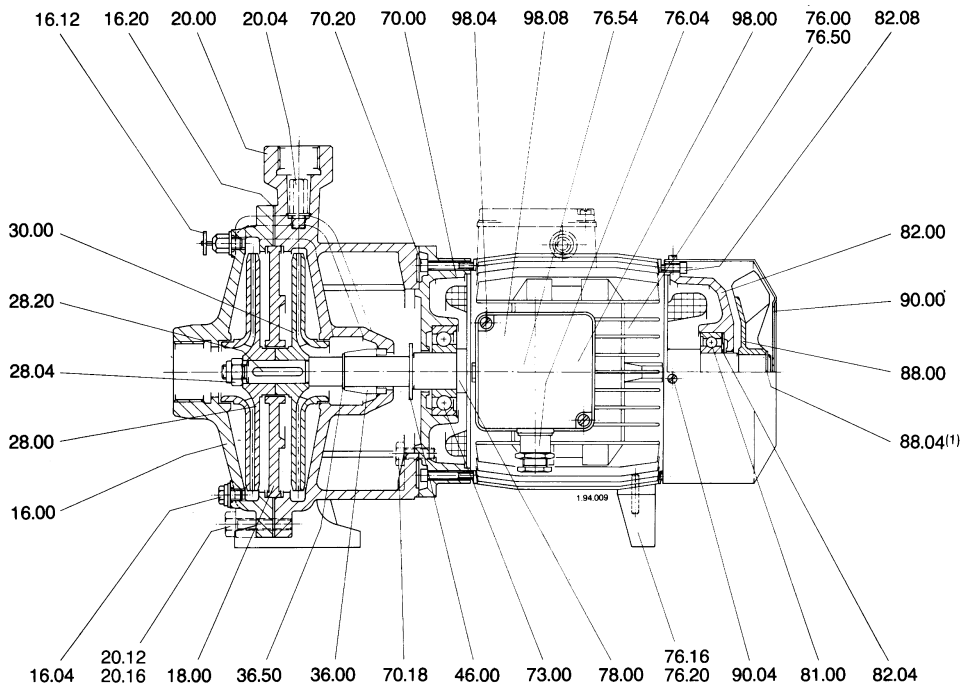


NMD 25/190A-B-C-AE-BE-CE

B-NMD 25/190A-B-C-AE-BE-CE

I-NMD 20/140A-B-AE-BE

I-NMD 25/190A-B-C-AE-BE-CE



36.54

<sup>(1)</sup> Solo nei tipi  
Only for types  
Nur für Baugrößen  
Seulement pour les types  
Solo en los tipos  
Endast typ

I-NMD 20/140A-B-AE-BE  
I-NMD 25/190A-B-C-AE-BE-CE

NMD 25/190A-B-AE-BE  
B-NMD 25/190A-B-AE-BE  
I -NMD 25/190A-B-AE-BE

NMD 32/210A-B-C-D  
NMD 40/180A-B-C-D

B-NMD 32/210A-B-C-D  
B-NMD 40/180A-B-C-D

I-NMD 32/210A-B-C-D  
I-NMD 40/180A-B-C-D

